

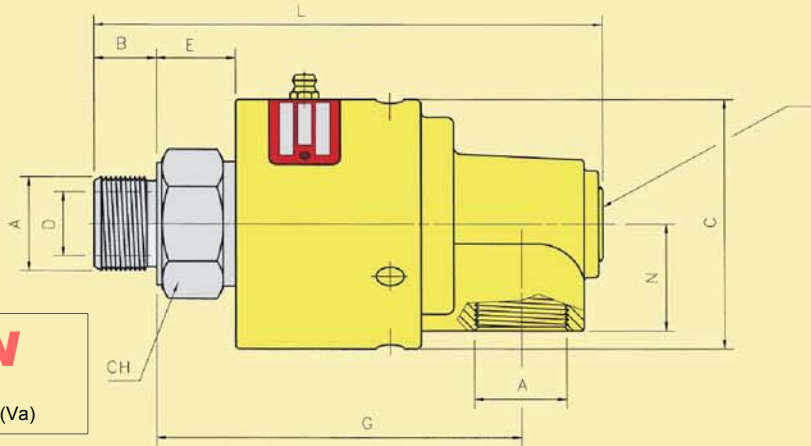
GR

GIUNTI ROTANTI PER ACQUA, ARIA, OLIO, VUOTO
ROTATING JOINTS FOR WATER, AIR, OIL, VACUUM
DREHDURCHFÜHRUNGEN FÜR WASSER, LUFT, ÖL, VAKUUM
RACCORDS TOURNANTS POUR EAU, AIR, HUILE, VIDE
JUNTAS ROTATIVAS PARA AGUA, AIRE, ACEITE, VACIO

1/4" ÷ 1"

GIUNTI ROTANTI AD UNA VIA
 ONE WAY ROTATING JOINTS
 EINWEG DREHDURCHFÜHRUNGEN

RACCORDS TOURNANTS SIMPLE PASSAGE
 JUNTA ROTATIVA SIMPLE PASO



Filettature Threads	Gewinde Filetages Rosca
GR 8	1/4 BSP
GR 10	1/4 BSP
GR 15	3/8 BSP
GR 20	1/2 BSP
GR 25	3/4 BSP

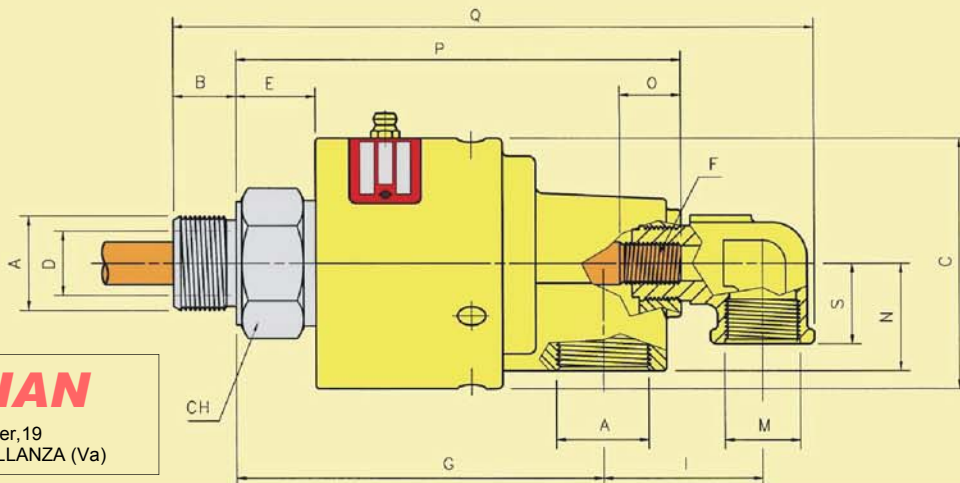
TURIAN

Via Jucker, 19
 I-21053 CASTELLANZA (Va)

GR ..

GIUNTI ROTANTI A DUE VIE - SIFONE FISSO
 TWO WAYS ROTATING JOINTS - FIXED SIPHON
 ZWEIWEG DREHDURCHFÜHRUNGEN
 FÜR STEHENDES SIPHONROHR

RACCORDS TOURNANTS DOUBLE PASSAGE
 POUR TUBE SIPHON FIXE
 JUNTA ROTATIVA DOBLE PASO
 CON SIFON ROSCADO



TURIAN

Via Jucker, 19
 I-21053 CASTELLANZA (Va)

GR .. F

TIPO TYPE MODELL	A BSP	B	C	D	E	F BSP	G	I ±1	L	M BSP	N	O	P	Q ±1	S	CH	PESO WEIGHT KG
GR 8	1/4	10	47	7.5	13	-	66.5	-	93	-	20	-	-	-	-	24	0.58
GR 10	3/8	12	47	9	13	-	66.5	-	96	-	20	-	-	-	-	24	0.58
GR 10 F	3/8	12	47	9	13	M6x1	66.5	33	-	1/4	20	12	84	124	20	24	0.70
GR 15	1/2	15	60	13	18	-	89	-	123	-	26	-	-	-	-	32	1.17
GR 15 F	1/2	15	60	13	18	1/8	89	35	-	3/8	26	18	108	150	20	32	1.28
GR 20	3/4	15	70	18	21	-	100	-	137	-	30	-	-	-	-	36	1.70
GR 20 F	3/4	15	70	18	21	1/4	100	39	-	3/8	30	18	124	163	20	36	1.80
GR 25	1"	20	84	24	21.5	-	109	-	161	-	36	-	-	-	-	41	2.50
GR 25 F	1"	20	84	24	21.5	3/8	109	55	-	1/2	36	20	142	198	23	41	2.60