

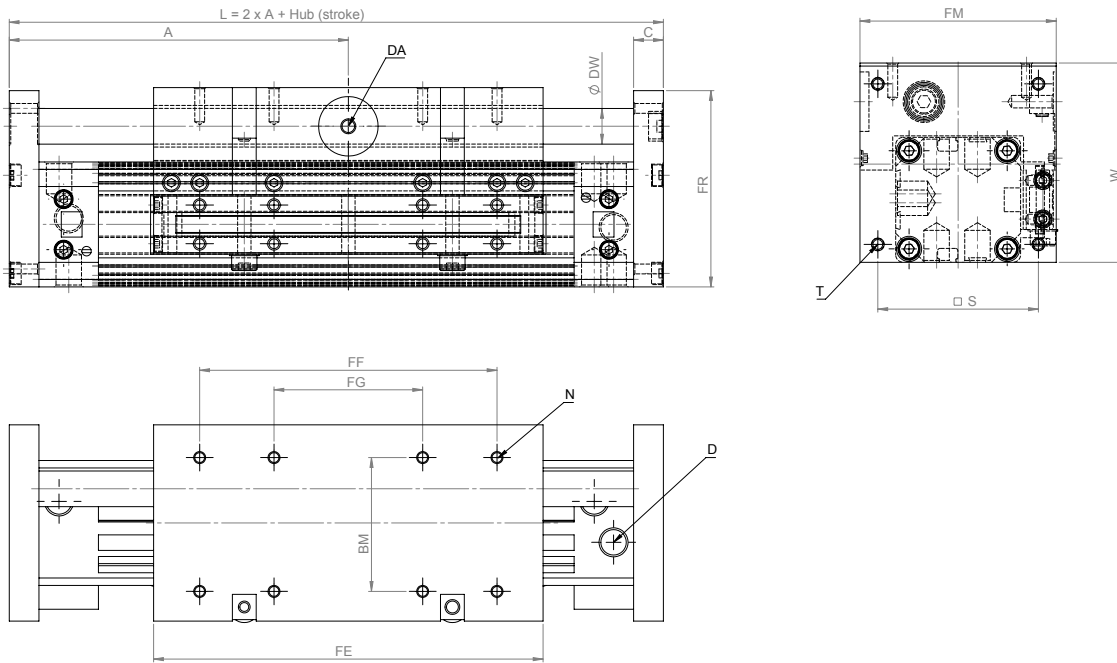
## Measurements table

Piston-Ø	Ø 18 mm	Ø 25 mm	Ø 32 mm	Ø 40 mm	Ø 50 mm	Ø 63 mm
A	80	100	120	150	180	215
AM	10	13	16	22	29	40
BM	35	45	55	70	85	105
D x thread depth	M5 x 6 mm	G1/8" x 8 mm	G1/8" x 8 mm	G1/4" x 12 mm	G1/4" x 12 mm	G3/8" x 12 mm
FE	103	131	171	220	280	333
FF	75	100	140	180	220	280
FG	- - -	50	70	90	110	140
FM	50	66	80	97	116	136
L	L = 2 x A + Stroke					
N x thread depth	M4 x 7,5 mm	M4 x 8 mm	M5 x 10 mm	M6 x 12 mm	M8 x 16 mm	M8 x 16 mm
S	23,5	33	41	51	63	78
T x thread depth	M3 x 7 mm	M4 x 9 mm	M5 x 10 mm	M6 x 12 mm	M8 x 12 mm	M8 x 12 mm
U	30	42	52	63	78	93
W	39	53	65	79	96	113,5
Cushioning length	15	18	24	34	40	49

Example for order:  
ZF Ø 25 Guiding cylinder with external carriage  
with stroke 100 mm

### Order number

Port Standard	3	2	5	0	-	0	0	0	0	-	0	1	0	0
---------------	---	---	---	---	---	---	---	---	---	---	---	---	---	---



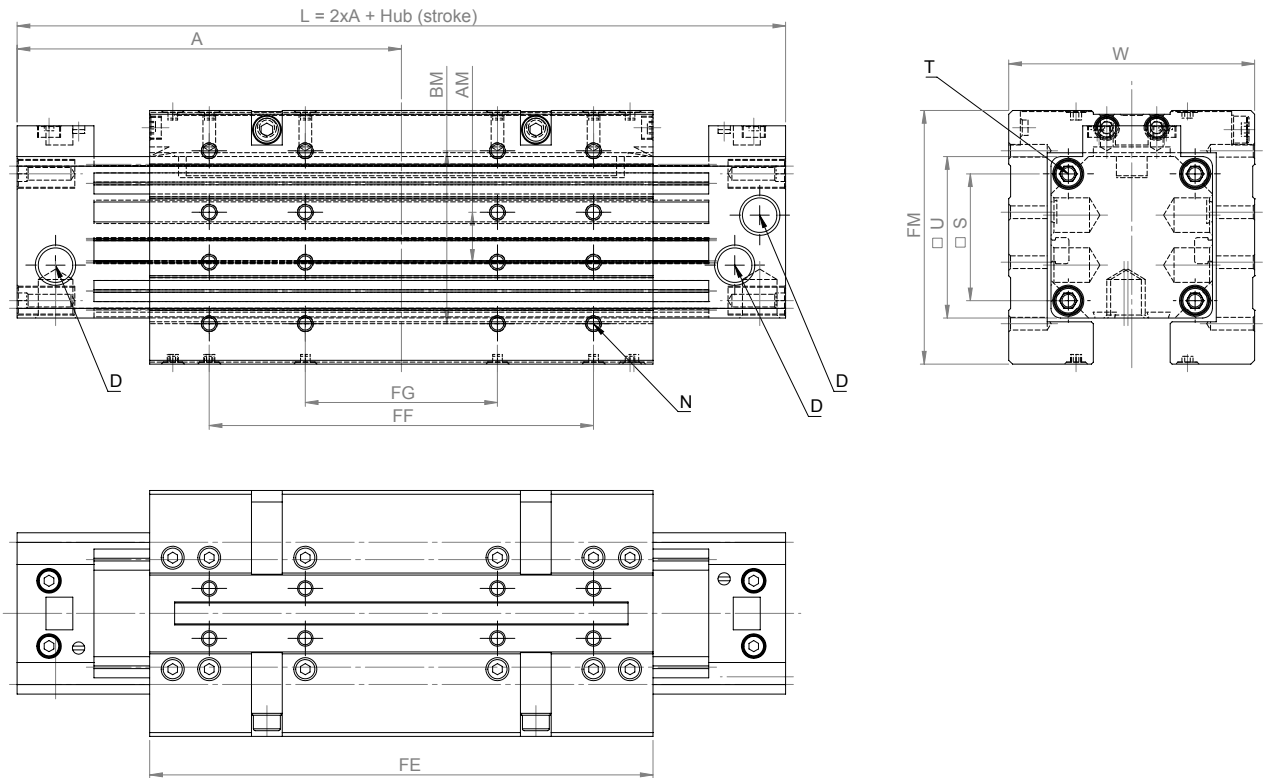
## Measurements table

Piston-Ø	Ø 18 mm	Ø 25 mm	Ø 32 mm	Ø 40 mm	Ø 50 mm	Ø 63 mm
<b>A</b>	86	110	130	162	195	230
<b>BM</b>	35	45	55	70	85	105
<b>C</b>	6	10	10	12	15	15
<b>D x thread depth</b>	M5 x 6 mm	G1/8" x 8 mm	G1/8" x 8 mm	G1/4" x 12 mm	G1/4" x 12 mm	G3/8" x 12 mm
<b>DA</b>	M5	M5	M5	G1/8"	G1/8"	G1/8"
<b>DW</b>	Ø 6	Ø 12	Ø 12	Ø 16	Ø 20	Ø 20
<b>FE</b>	103	131	171	220	280	333
<b>FF</b>	75	100	140	180	220	280
<b>FG</b>	---	50	70	90	110	140
<b>FM</b>	50	66	80	97	116	136
<b>FR</b>	47	66	78	92,5	114,5	138
<b>L</b>	L = 2 x A + Stroke max. 3000 mm					
<b>N x thread depth</b>	M4 x 7,5 mm	M4 x 8 mm	M5 x 10 mm	M6 x 12 mm	M8 x 16 mm	M8 x 16 mm
<b>S</b>	42	54	68	80	100	120
<b>T</b>	M3	M4	M5	M6	M8	M8
<b>W</b>	48	67	79	93,5	115,5	139
<b>Cushioning length</b>	15	18	24	34	40	49
<b>Fb</b>	180 N	600 N	600 N	1000 N	1400 N	2000 N

Example for order:  
 ZFB Ø 25 Guiding cylinder with passive safety unit (release under pressure)  
 with stroke 100 mm

### Order number

3	2	5	4	-	0	0	0	0	-	0	1	0	0
---	---	---	---	---	---	---	---	---	---	---	---	---	---



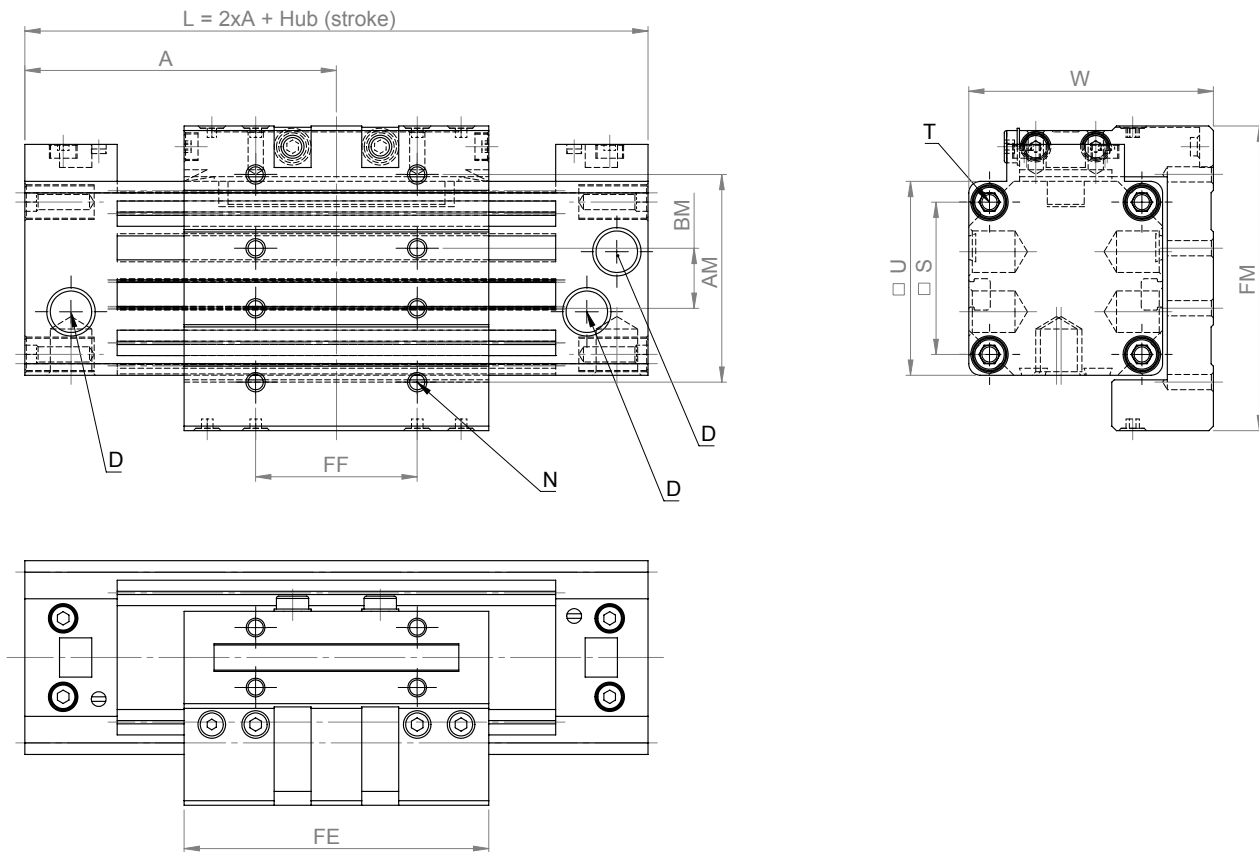
## Measurements table

Piston-Ø	Ø 18 mm	Ø 25 mm	Ø 32 mm	Ø 40 mm	Ø 50 mm	Ø 63 mm
A	80	100	120	150	180	215
AM	10	13	16	22	29	40
BM	35	45	55	70	85	105
D x thread depth	M5 x 6 mm	G1/8" x 8 mm	G1/8" x 8 mm	G1/4" x 12 mm	G1/4" x 12 mm	G3/8" x 12 mm
FE	103	131	171	220	280	333
FF	75	100	140	180	220	280
FG	---	50	70	90	110	140
FM	50	66	80	97	116	136
L	$L = 2 \times A + \text{Stroke}$					
N x thread depth	M4 x 7,5 mm	M4 x 8 mm	M5 x 10 mm	M6 x 12 mm	M8 x 16 mm	M8 x 16 mm
S	23,5	33	41	51	63	78
T x thread depth	M3 x 7 mm	M4 x 9 mm	M5 x 10 mm	M6 x 12 mm	M8 x 12 mm	M8 x 12 mm
U	30	42	52	63	78	93
W	48	64	78	95	114	134
Cushioning length	15	18	24	34	40	49

Example for order:  
ZFF Ø 25 Guiding cylinder with 2 external carriages  
with stroke 100 mm

### Order number

Port Standard	3	2	5	1	-	0	0	0	0	-	0	1	0	0
---------------	---	---	---	---	---	---	---	---	---	---	---	---	---	---



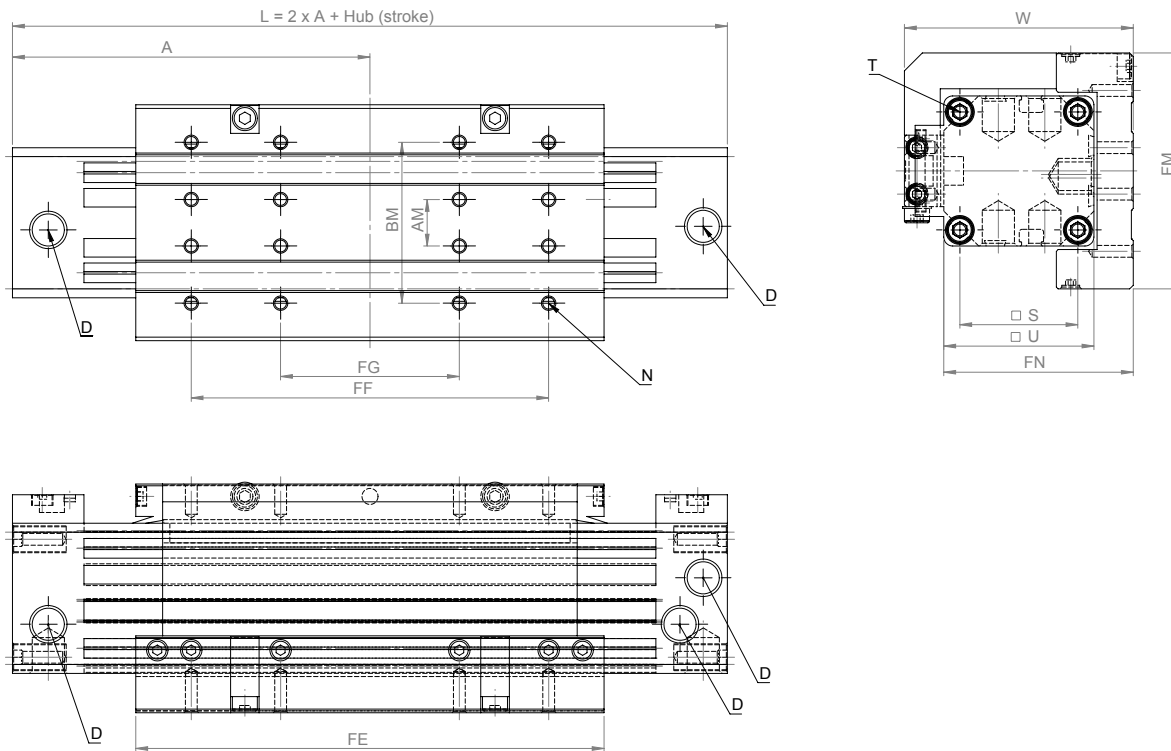
## Measurements table

Piston-Ø	Ø 18 mm	Ø 25 mm	Ø 32 mm	Ø 40 mm	Ø 50 mm	Ø 63 mm
A	57,5	67,5	77,5	95	105	125
AM	10	13	16	22	29	40
BM	35	45	55	70	85	105
D x thread depth	M5 x 6 mm	G1/8" x 8 mm	G1/8" x 8 mm	G1/4" x 12 mm	G1/4" x 12 mm	G3/8" x 12 mm
FE	58	66	86	110	130	153
FF	30	35	55	70	70	100
FM	50	66	80	97	116	136
L	$L = 2 \times A + \text{Stroke}$					
N x thread depth	M4 x 7,5 mm	M4 x 8 mm	M5 x 10 mm	M6 x 12 mm	M8 x 16 mm	M8 x 16 mm
S	23,5	33	41	51	63	78
T x thread depth	M3 x 7 mm	M4 x 9 mm	M5 x 10 mm	M6 x 12 mm	M8 x 12 mm	M8 x 12 mm
U	30	42	52	63	78	93
W	39	53	65	79	96	113,5
Cushioning length	15	18	24	34	40	49

Example for order:  
ZFK Ø 25 Guiding cylinder short with external guide carriage  
with stroke 100 mm

### Order number

Port Standard	3	2	5	2	-	0	0	0	0	-	0	1	0	0
---------------	---	---	---	---	---	---	---	---	---	---	---	---	---	---



## Measurements table

Piston-Ø	Ø 18 mm	Ø 25 mm	Ø 32 mm	Ø 40 mm	Ø 50 mm	Ø 63 mm
<b>A</b>	80	100	120	150	180	215
<b>AM</b>	10	13	16	22	29	40
<b>BM</b>	35	45	55	70	85	105
<b>D x thread depth</b>	M5 x 6 mm	G1/8" x 8 mm	G1/8" x 8 mm	G1/4" x 12 mm	G1/4" x 12 mm	G3/8" x 12 mm
<b>FE</b>	103	131	171	220	280	333
<b>FF</b>	75	100	140	180	220	280
<b>FG</b>	---	50	70	90	110	140
<b>FM</b>	50	66	80	97	116	136
<b>FN</b>	39	53	65	79	96	113,5
<b>L</b>	L = 2 x A + Stroke					
<b>N x thread depth</b>	M4 x 7,5 mm	M4 x 8 mm	M5 x 10 mm	M6 x 12 mm	M8 x 16 mm	M8 x 16 mm
<b>S</b>	23,5	33	41	51	63	78
<b>T x thread depth</b>	M3 x 7 mm	M4 x 9 mm	M5 x 10 mm	M6 x 12 mm	M8 x 12 mm	M8 x 12 mm
<b>U</b>	30	42	52	63	78	93
<b>W</b>	48	64	78	95	114	134
<b>Cushioning length</b>	15	18	24	34	40	49

Example for order:  
 ZFU Ø 25 Guiding cylinder with external carriage on the bottom side  
 with stroke 100 mm

### Order number

Port Standard	3	2	5	5	-	0	0	0	0	-	0	1	0	0
---------------	---	---	---	---	---	---	---	---	---	---	---	---	---	---